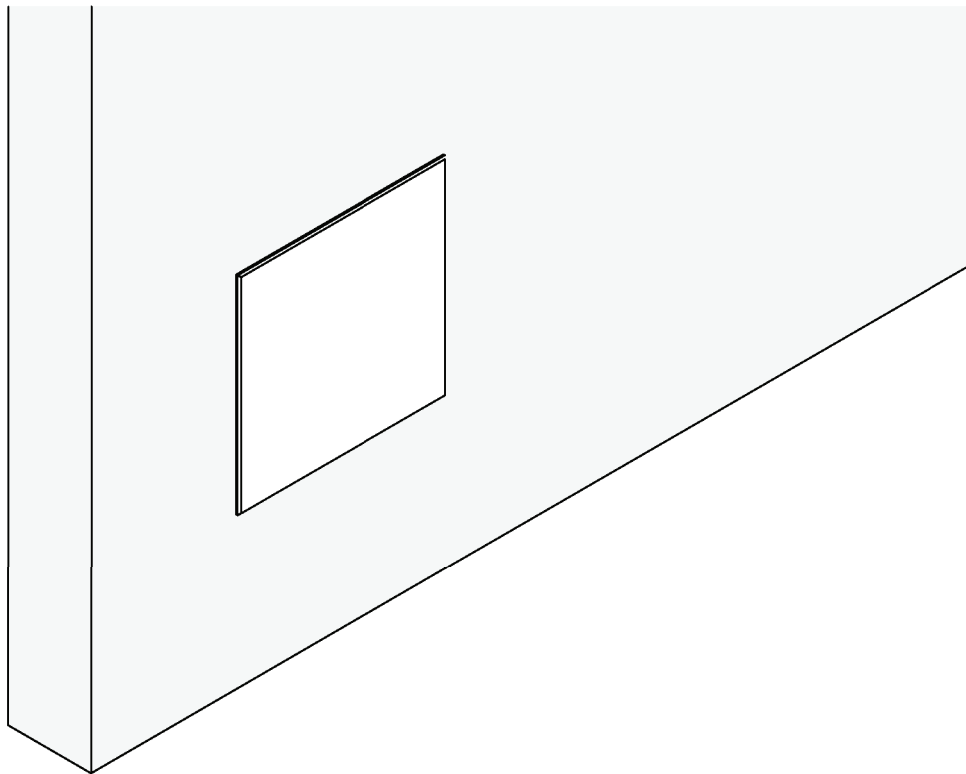


hush.
acoustics

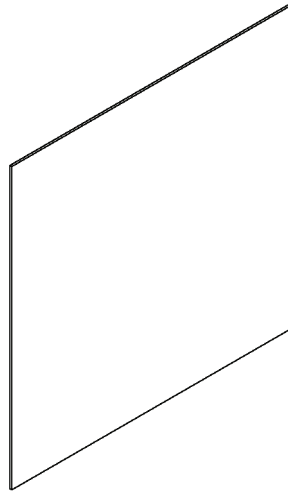
WALL TILE INSTALL GUIDE



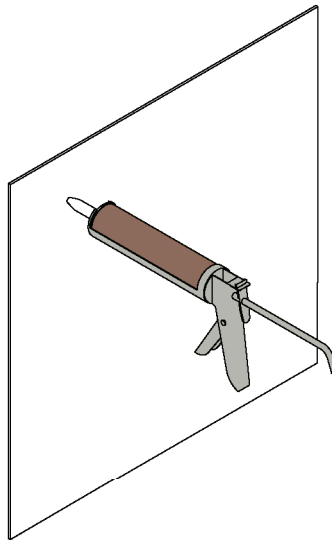
Quiet by design

Tip: *Layout your tile pattern/configuration on a flat surface prior to beginning install.*

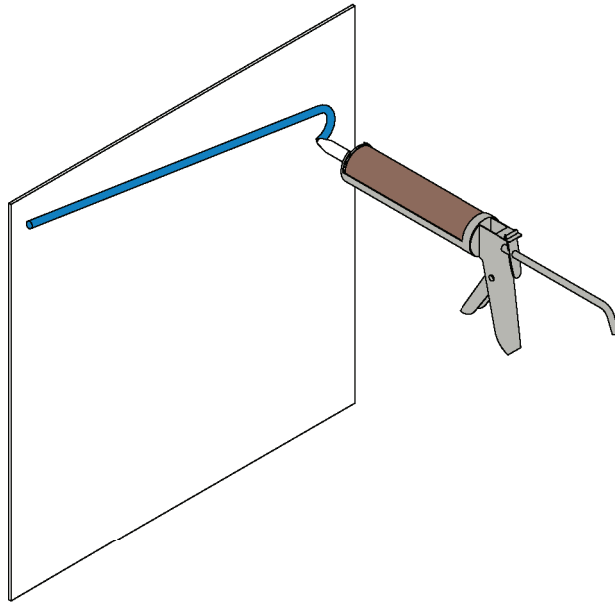
- 1) Locate the back of the Wall Tile. (Note: The back of the tile will have no etched patterns or beveled edges).



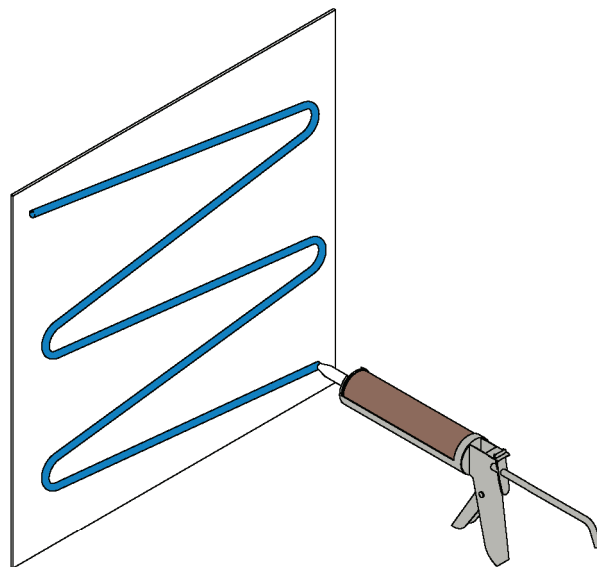
-
- 2) On the back of the Wall Tile, starting at the top corner, apply a bead of adhesive that is approximately 1/4" wide.



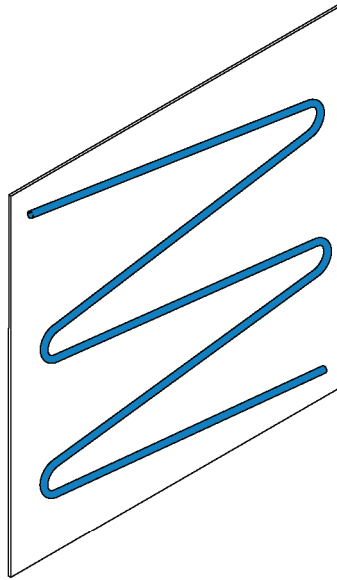
3) Continue the bead of adhesive across the width of the Wall Tile.



4) Working quickly, complete the Wall Tile in a back-and-forth pattern as shown below.



- 5) Your Wall Tile is now ready to be installed on the wall in the desired location. (Please note that the Wall Tile should be mounted on the wall within 60 seconds of applying adhesive).



-
- 6) With the Wall Tile located on the wall, apply firm pressure evenly over the entire surface of the Wall Tile and hold it in place for a few seconds. The Wall Tile is now installed. Repeat steps 1-6 for all remaining tiles.

